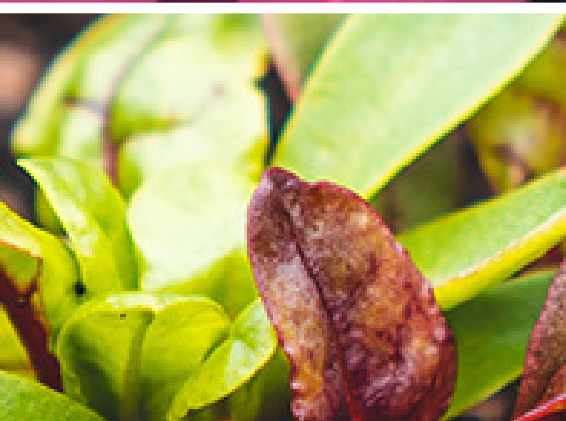


Protective greenhouse

Extend your garden's growing season.

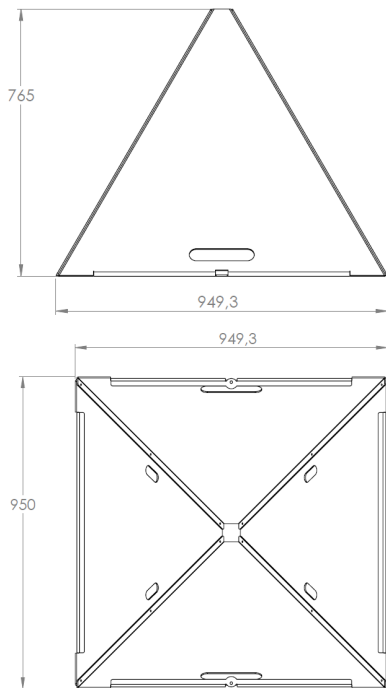


PRACTICAL



The protective greenhouse

Technical diagram



Technical characteristics

HEIGHT: 88 cm

MATERIAL: Transparent polycarbonate

PANEL THICKNESS: 3 mm

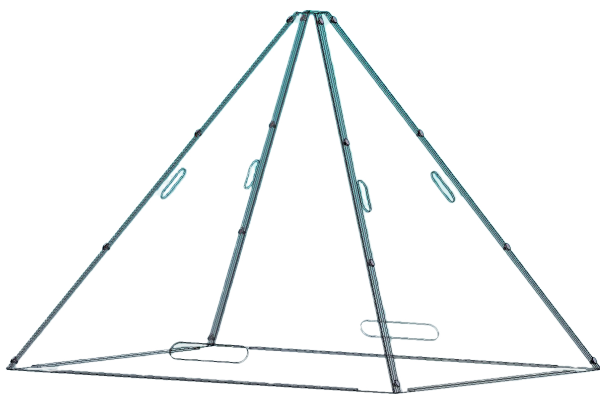
NUMBER OF SIDE HANDLES: 2

NUMBER OF VERTICAL HANDLES: 4

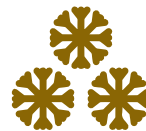
SCREWS AND INSERTS: Stainless steel

PROTECTION: Protective film on the panels + individual packaging

Our protective greenhouse



Our guarantees



Winter Protection



Weather protection



Prepare your garden



Garden all year round

Related products

